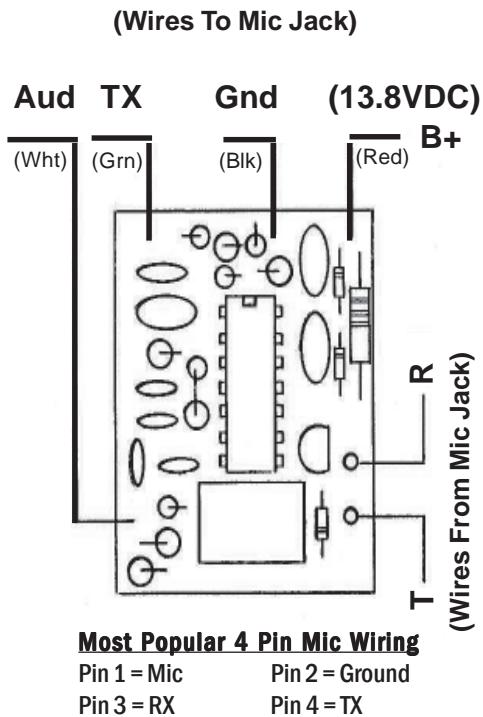
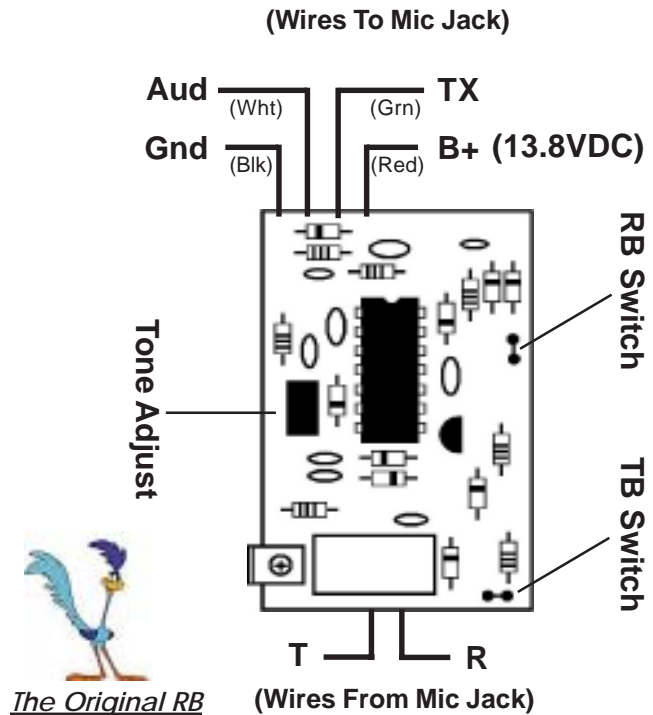


ROGER BEEP WIRING INSTRUCTIONS

ROGER BEEP 1



ROGER BEEP 2



INSTALLATION

1. Locate the Mic Jack connections inside the Radio and locate the Transmit, Receive, Mic, and Ground wires.
2. Solder the RB Red wire to +13.8 VDC at the On/Off switch.
3. Solder the RB Black wire to circuit board Ground or the Ground pin on the Mic Jack.
4. Solder the RB (Wht, Ora, Yel) wire to the Mic Audio pin, or the Center of the Mic Gain Control.
5. Unsolder the Transmit wire from the Mic Jack and solder it to the RB board terminal marked (T). Solder the RB Green wire to the Mic Jack where the Transmit was removed.
6. Unsolder the Receive wire (if any) from the Mic Jack and resolder it to the RB board terminal marked (R). (See Diagram) (Wires From Mic Jack)
7. Using a piece of foam tape or insulated material, mount the RB-1 board to the side of the radio chassis, making sure that it is not shorting. RB-2 units have a RCI type Mounting Tab.
8. Turn on the Radio and check all functions. The Transmit will now be delayed approximately 1/2 a second, and a short Beep will be transmitted each time the mic is released.

NOTE: To switch out the Beep, wire a switch in series with the RB Audio wire for RB-1. Cut the jumper marked "RB Switch" and wire a switch to the two cut sides for RB-2. A "Talk Back" feature is available on the RB-2 and can be disabled or switched. A set of "Aux Contacts" is also available on RB-2 for older Relay Switched Radios